



Rhyme Flip Book

Objective

The student will recognize and produce rhyming words.

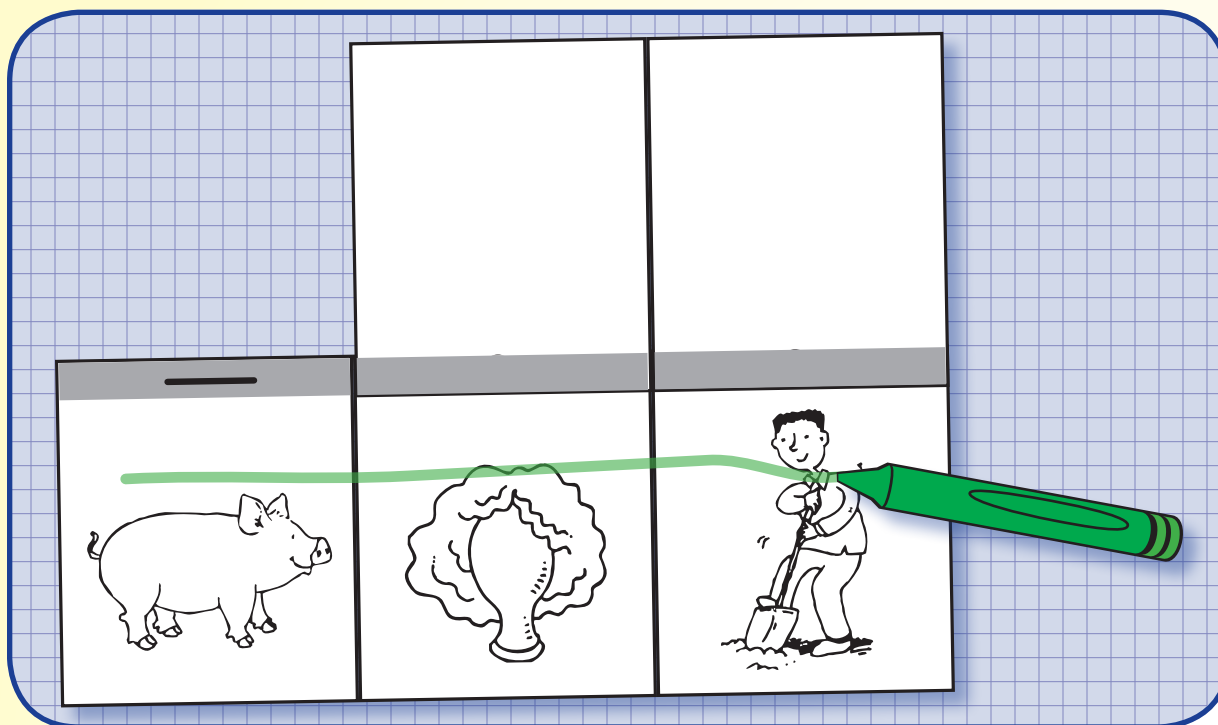
Materials

- ▶ Rhyme picture book pages (Activity Master PA.009.AM1a - PA.009.AM1g)
- ▶ Stapler
- ▶ Crayons or markers

Activity

Students find two rhyming pictures and illustrate a third picture.

1. Place stapler and crayons at the center. Provide the student with a set of rhyme picture book pages.
2. The student makes a flip book using the rhyme book pages. Cuts, compiles, and staples the book.
3. Flips through the pages in the book and finds two pictures that rhyme.
4. Draws a picture of a word that rhymes with the two pictures on a blank page.
5. Chooses a crayon and marks a line across all three rhyming pictures (*Note: Uses a different color for each set of rhyming pictures*).
6. Continues until there are three pictures for each rhyme.
7. Teacher evaluation



Extensions and Adaptations

- ▶ Exchange books with a partner and compare rhyming words.
- ▶ Make additional flip book pages (Activity Master PA.009.AM2).


Phonological Awareness

PA.009.AM1a

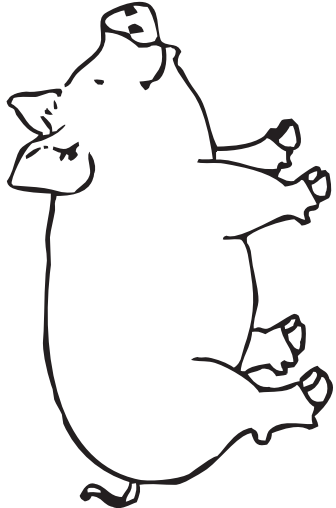
Rhyme Flip Book

—

STOP



STOP



fold →

rhyme picture book pages: pig, hat

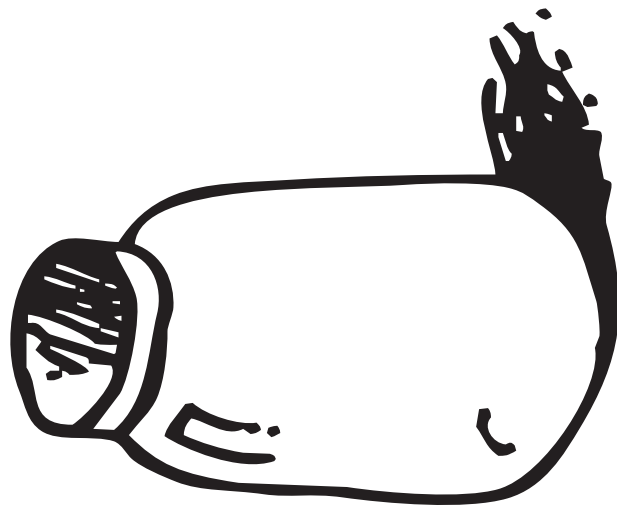


Phonological Awareness

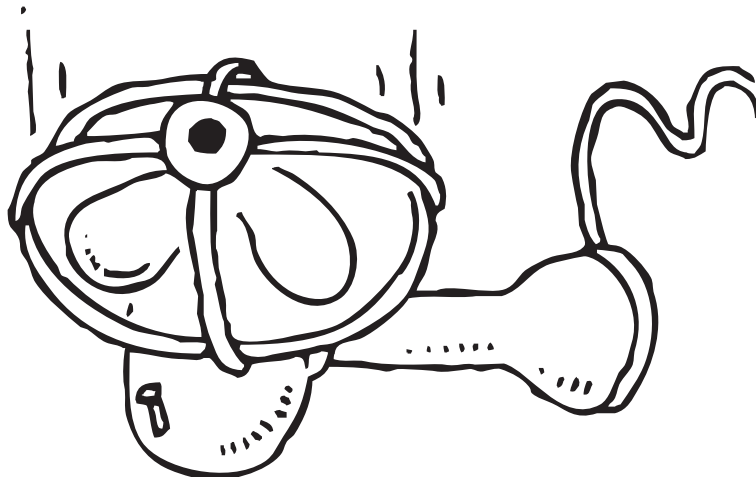
Rhyme Flip Book

PA.009.AM1b

STOP



STOP



fold →

rhyme picture book pages: fan, jar



Phonological Awareness

PA.009.AMI c

Rhyme Flip Book

—

STOP

—

STOP

—

fold →

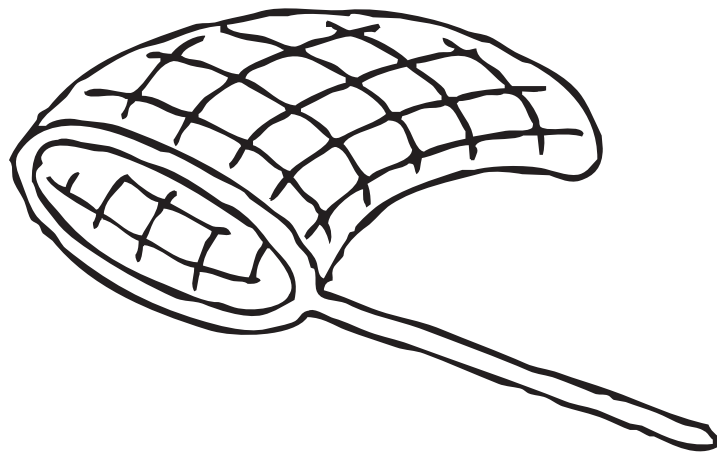
rhyme picture book pages: bell, frog

Phonological Awareness

Rhyme Flip Book

PA.009.AM1d

STOP



STOP



fold →

rhyme picture book pages: star, net



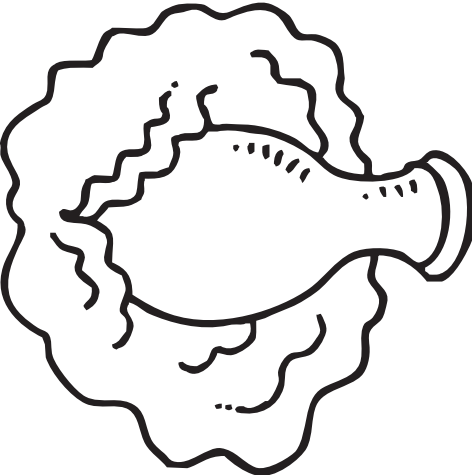
Phonological Awareness

PA.009.AM1e

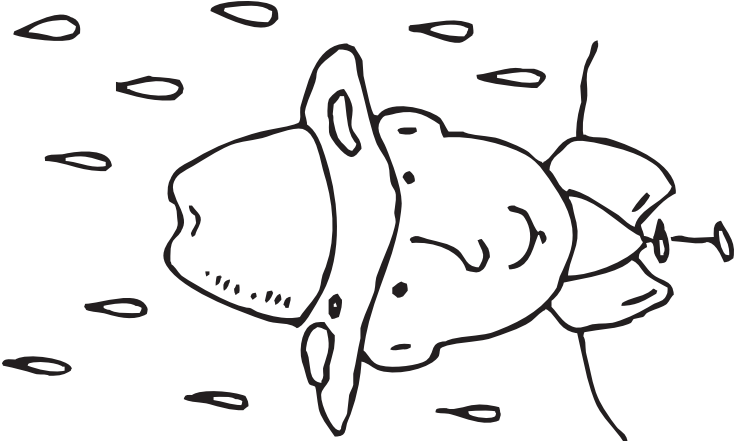
Rhyme Flip Book

—

STOP



STOP



fold →

rhyme picture book pages: wet, wig



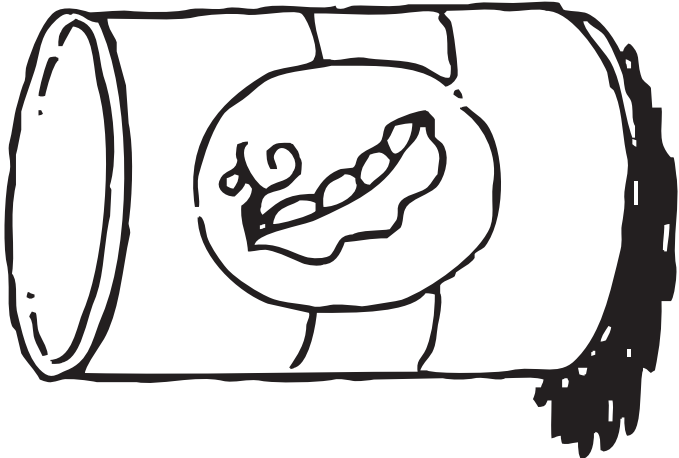
Phonological Awareness

Rhyme Flip Book


PA.009.AM1f

—

STOP



STOP



fold →

This is a worksheet for creating a rhyme flip book. It features a vertical grey strip on the left side with a 'fold' label and an arrow pointing right. Two octagonal 'STOP' signs are placed on this strip, each connected to a horizontal dotted line that extends across the page. The top dotted line is positioned above a drawing of a can of peas, and the bottom dotted line is positioned above a drawing of a dog. The drawings are simple line art. A pair of scissors icon is located at the bottom right corner of the page.

rhyme picture book pages: dog, can

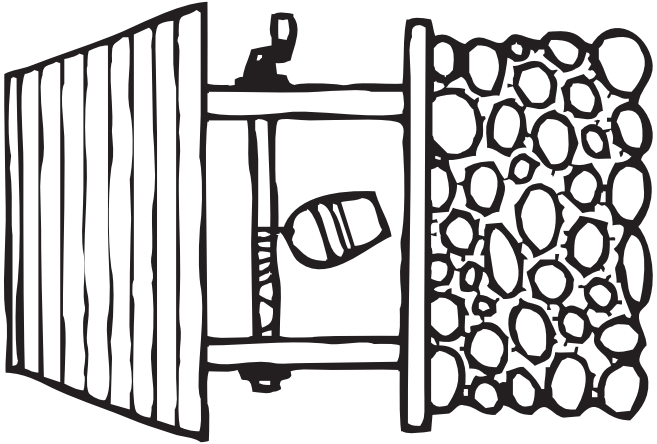
Phonological Awareness

PA.009.AMIg


Rhyme Flip Book

—

STOP



STOP



fold →

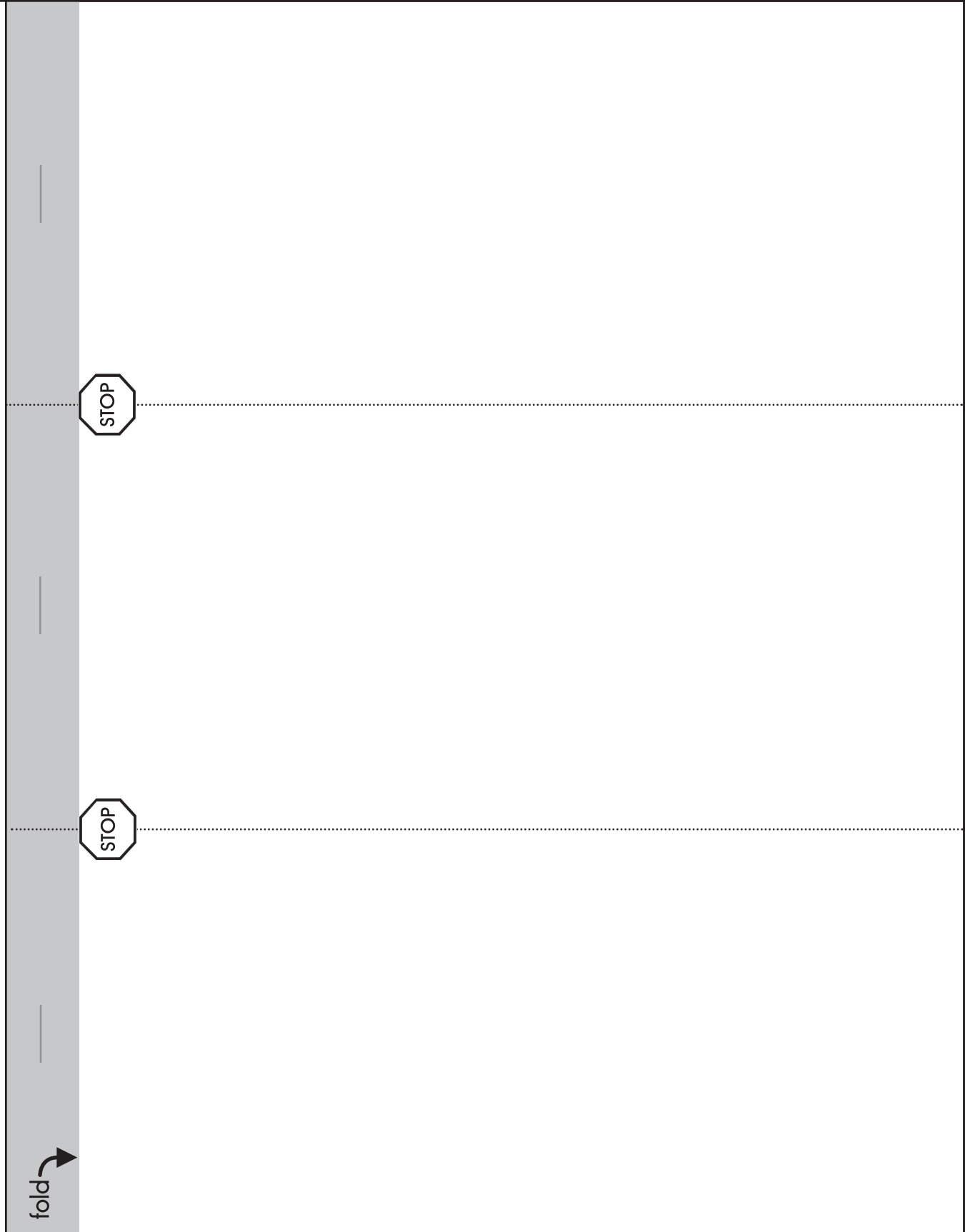
rhyme picture book pages: cat, well



Phonological Awareness

Rhyme Flip Book

PA.009.AM2



blank flip book pages

